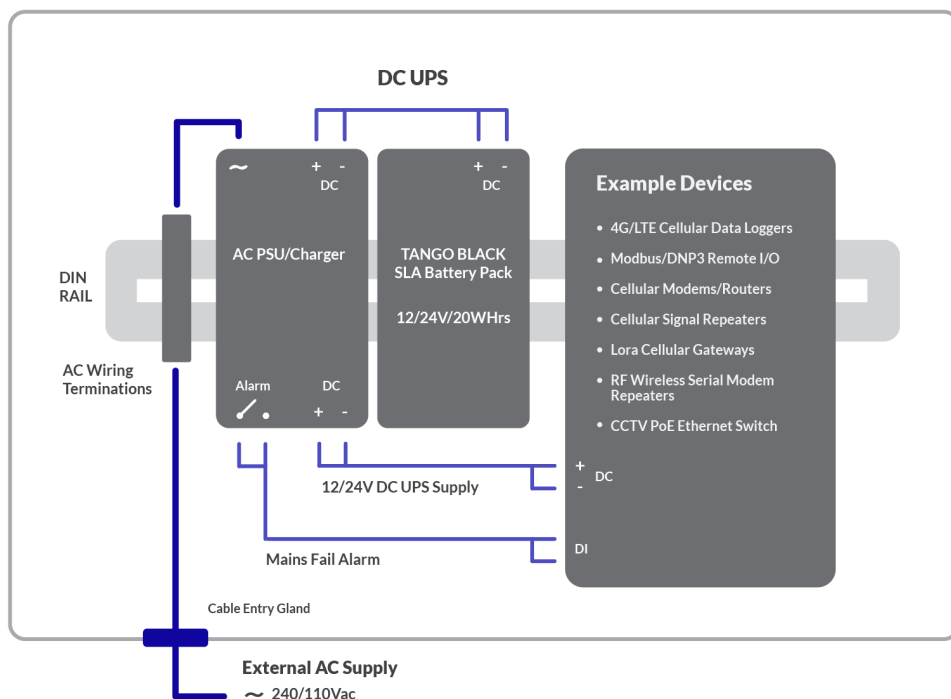


DC UPS Power Supply Integrated Solution

Combined AC/DC PSU, Charger, Battery Pack & Opional Monitoring for powering Routers, CelFi, Modems & Lora Gateways

ETM's DC UPS solution includes DIN Rail mounted AC to DC PSU, Charger, & DIN Mount SLA Battery Pack, available as a packaged integrated solution or as separate individual items in a kit.

Suitable for powering a wide range of industrial applications requiring reliable battery backed DC power such as remote communications equipment, telemetry, SCADA and PLC installations. Optional SMS & Email AC Fail Alerts available via ETM Delta family cellular alarm diallers.



Key Features

- Industrial Grade DIN Mount
- 24V or 12Vdc Versions
- AC Fail Alarm Output
- Battery Fail Alert
- 8 Hours Battery Backup (e.g. ETM Delta Black)

ETM Scope

- AC/DC 40W PSU Charger
- DIN Mount Battery Tray
- SLA Batteries:
 - 24V/0.8Ahr – 20WH
 - 12V/0.8Ahr – 10WH
- Interconnect Cables
- Optional SMS Alarm Dialler
- Optional On-line Monitoring Platform
- Optional DC or Solar Supply

ETMP SAPN-04 V1.2

