

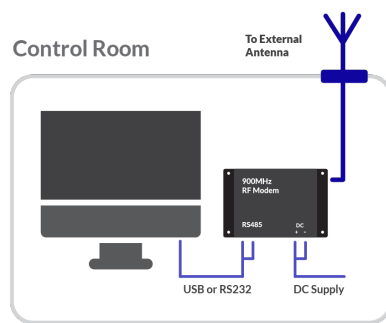
Wireless RS232 & RS485 Network

Pt to Multi-Point RF Link between PC & Remote Security Access Controllers using 900MHz Modems

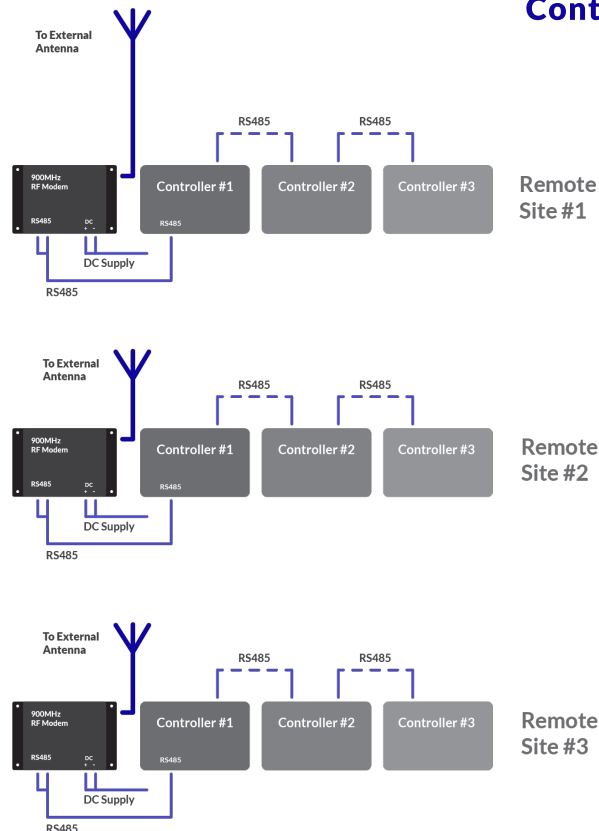
ETM RF Modems create a transparent Point to Multi-Point Star Topology wireless network between Host PC and multiple remote access controller sites across a wide geographic area.

Distances greater than 1Km between PC Host location and remote sites using external antennas.

Host PC running security access control software



CS Technologies Access Control Panels



Key Features

- Long Range License Free 900Mhz Radios
- Industrial Grade Hardware -40 to + 80 Deg C
- Wide Operating Voltage 7-30Vdc Supply
- Free Configuration Software
- Flexible Topologies; Pt. to Pt. Bridge or Pt. to Multi-Point Star

ETM Scope

- 1 x RS232/USB RF Modem XM92-2P
- 3 x RS485 RF Modem XM92-4P
- 1 x High Gain Omni Antennas
- 3 x High Gain Directional Antennas
- RF Coax Cables
- Pre-Configured & Tested from factory
- DC UPS Power Supply (Optional)

ETMP SAPN-03 V1.2

