

PAE-Product Application Example 01 - ETM Delta Black

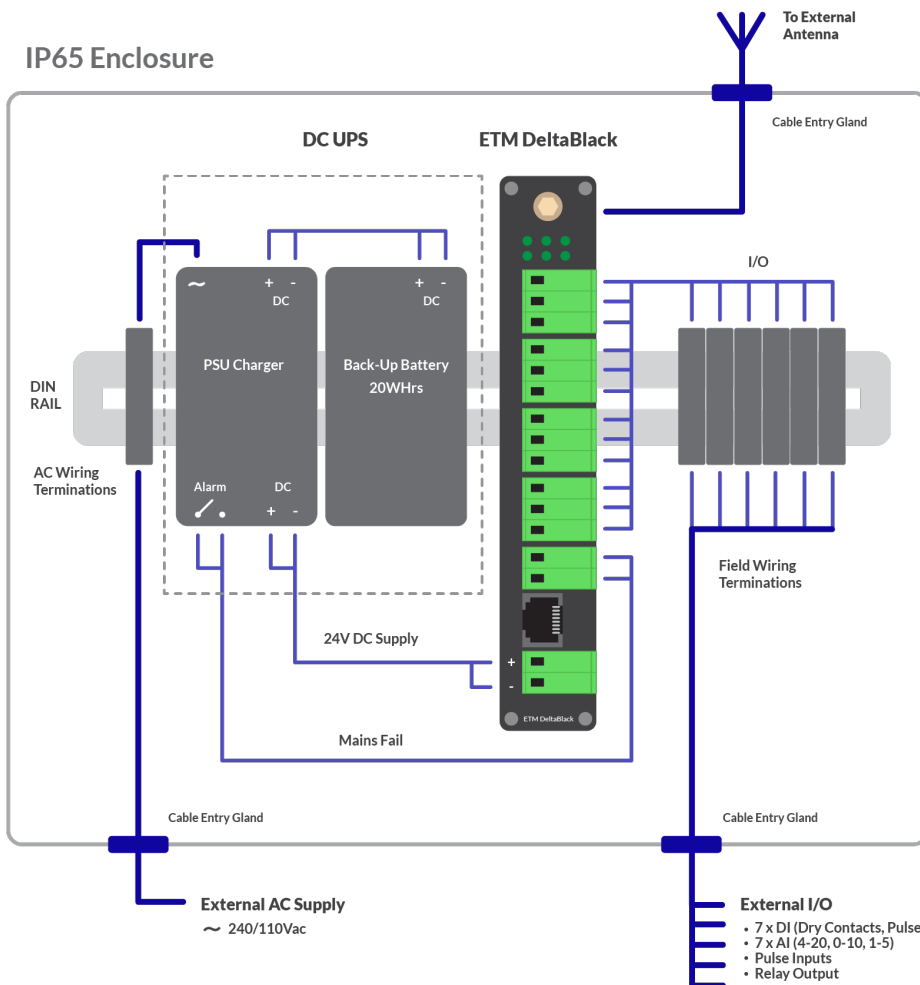
4G SMS Alarm Dialer & Logger Integrated Solution

Remote Monitoring of Temperature, Pressure, Level, Flow, Humidity and other sensors for a wide range of industrial applications with Battery Backup, Power Fail Alerts & Web Based management

Delta Black 4G Industrial SMS Alarm Dialer & Logger supplied as a packaged solution, mounted on DIN Rail in an IP rated enclosure. Requiring only external connections to AC Power, Antenna, and field I/O signals. Factory preconfigured to user needs, ready for deployment as a standalone alarming platform.

DC UPS Option: Generates Mains Power failure alerts, and ensures logging and alarming continues during power outages by providing battery backed DC Power with SLA Batteries.

IoTConX Option: ETM Web based Platform for device management, data visualization & alarm management.



Key Features

- Fully Integrated TurnKey Solution
- 4G LTE with 3G Fallback
- Ai (4-20mA Flexible Input Signal Types)
- 1 x C/O Relay Output
- AC Fail Alarming via SMS or Email
- Factory Tested
- DC Power to External devices

ETM Scope

- 1 x Delta Black
- 1 x IP Rated Enclosure
- 1 x AC PSU/Charger
- 1 x SLA Battery Pack
- All wiring and Terminations
- External Antenna & Coax Cables
- SIM Data & SMS Plans
- IoTConx - Data Logging & Visualization



SMS Alerts

Instant alarm notification on any device.



IoTConx (optional)

ETM IoT Cloud Platform provides Device Management, Data Visualization, Logging and Alarm management.

ETMP SAPN-01 V1.2

